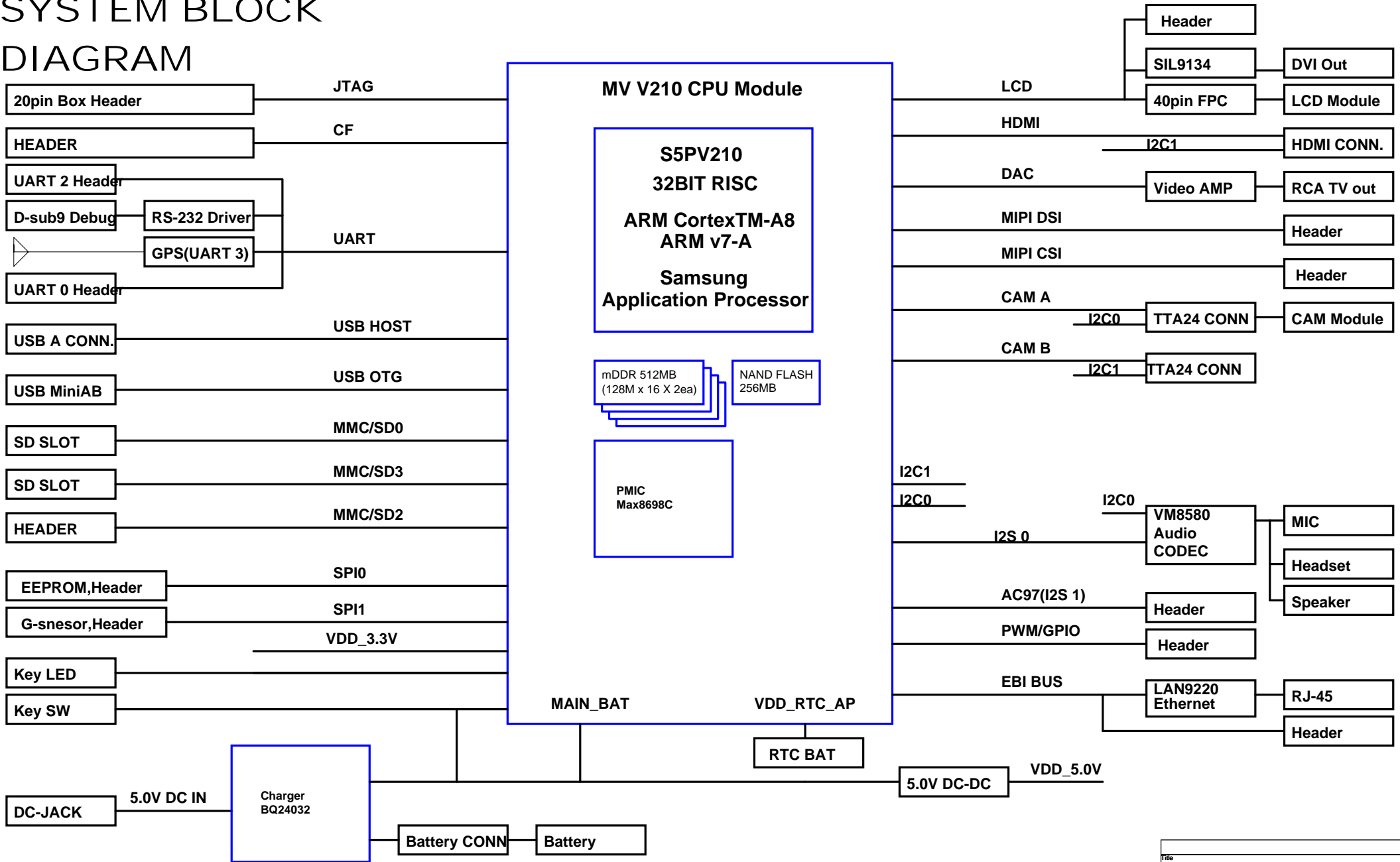


SYSTEM BLOCK DIAGRAM



Title		
MV210 Base Board		
Size	Document Number	Rev
	System Blockdiagram	V1.1
Date:	Tuesday, June 01, 2010	Sheet 2 of 11